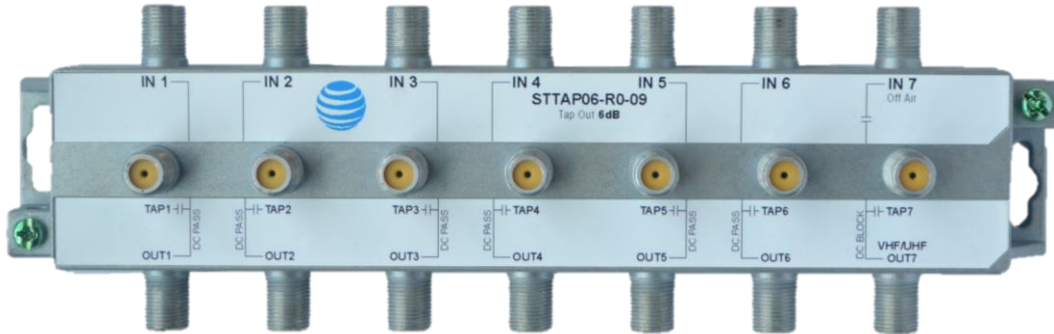


AT&T SATELLITE TRUNK TAP

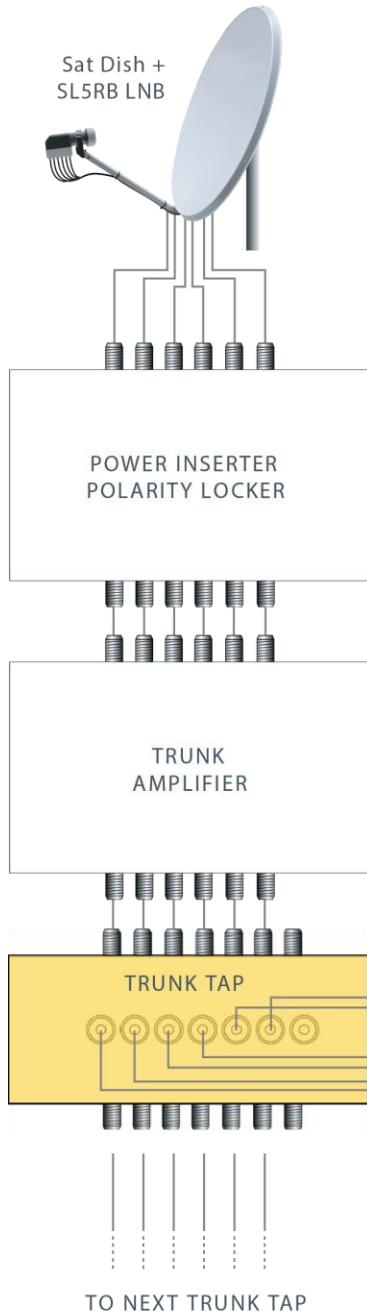
STTAP06-R0-09 - STTAP09-R0-09 - STTAP12-R0-09 - STTAP16-R0-09 - STTAP20-R0-09



(A) Top-view of Trunk Tap

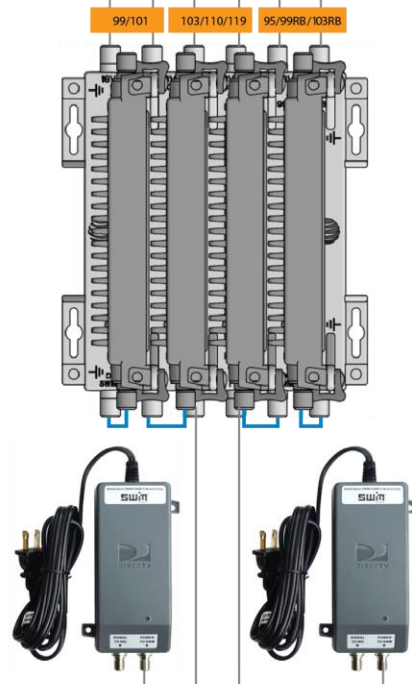
TECHNICAL SPECIFICATIONS

			6 dB Tap	9 dB Tap	12 dB Tap	16 dB Tap	20 dB Tap
Parameter		Unit	Value				
Input ports		-	7				
Output ports		-	7				
Tap ports		-	7				
System Impedance		Ohm	75				
Operating IF Frequency Range		Port 1-6	250 - 2150				
		Port 7	5-1000 (Terrestrial)				
Flatness in operating frequency range		dB	+/- 0.5				
Insertion Loss	Input to Output port	dB	4.0	2.5	1.5	1.2	1.0
	Input to Tap port		6.0	9.5	12.5	16.5	20
	Tap to Input (port 7 only) (Return Path 5-40 MHz)		10.5	10.5	13.2	17.2	21
Port to Port Isolation		dB	>35				
Return Loss Input and Output Port		dB	12				
Return Loss Tap Port		dB	10				
Output Trunk Port to Tap Isolation Loss		dB	20				
DC Power Passing (Output to Input Only)		mA	1000				
Environmental Requirements		-	Indoor or Lock Box Installation				
Operational Temperature		°C	-34 to +60				
Dimensions		Inches (Wx HxD)	6.5 x 4.0 x 1.5				



MOUNTING INSTRUCTIONS

- Connect the satellite trunk cables to the Trunk Tap
- Connect an earth ground wire to a grounding block
- The Trunk Tap is a passive device
- All non-used RF ports require external termination with 75 Ohms
- The Trunk Tap can not be used as a polarity locker
- The Trunk Tap shall not be exposed to direct outdoor elements and is suited for indoor installation only. Outdoor installation only advised in combination with an approved outdoor lock box



Power Inserter PI29

Power Inserter PI29